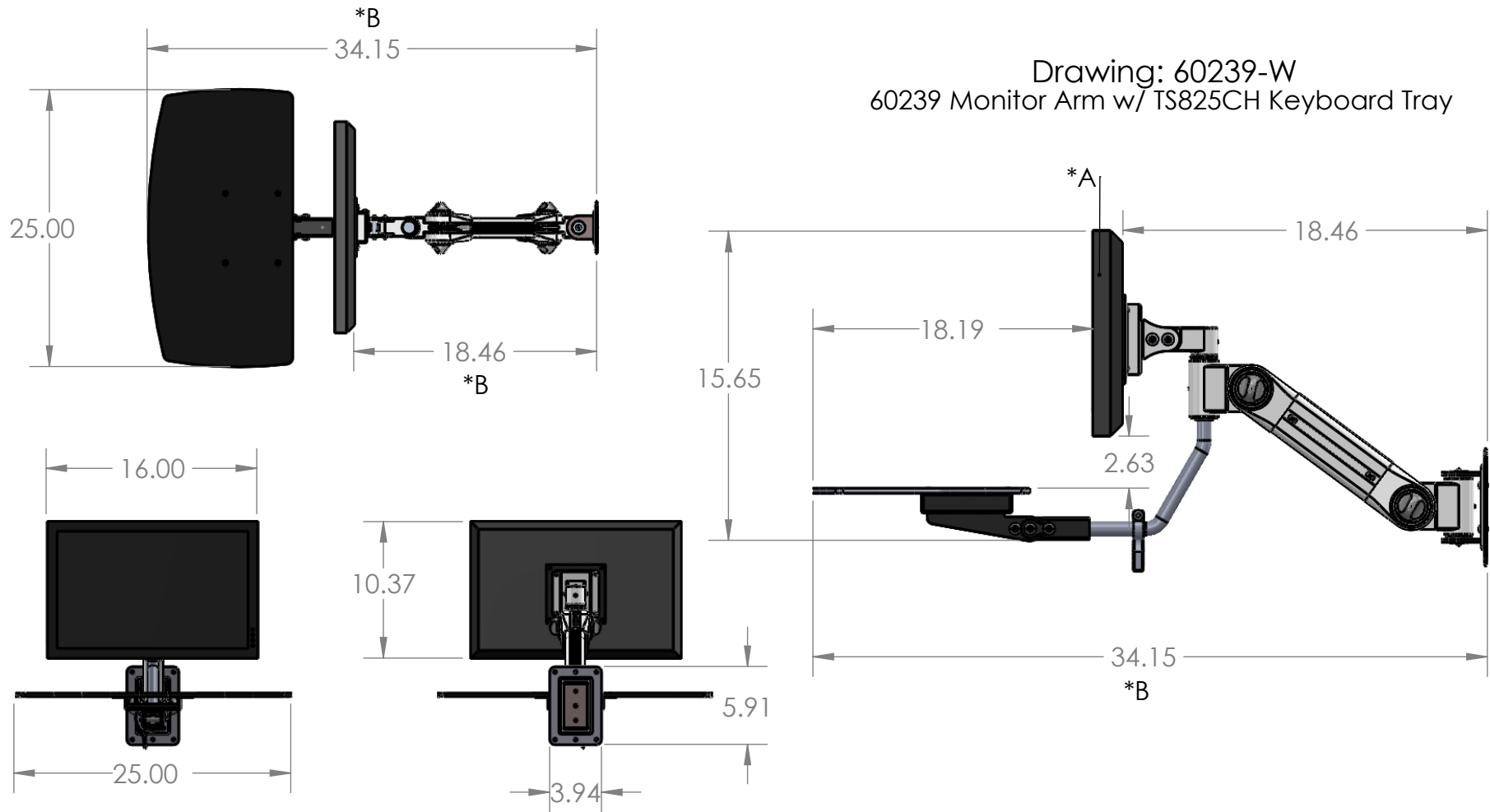


Drawing: 60239-W
60239 Monitor Arm w/ TS825CH Keyboard Tray



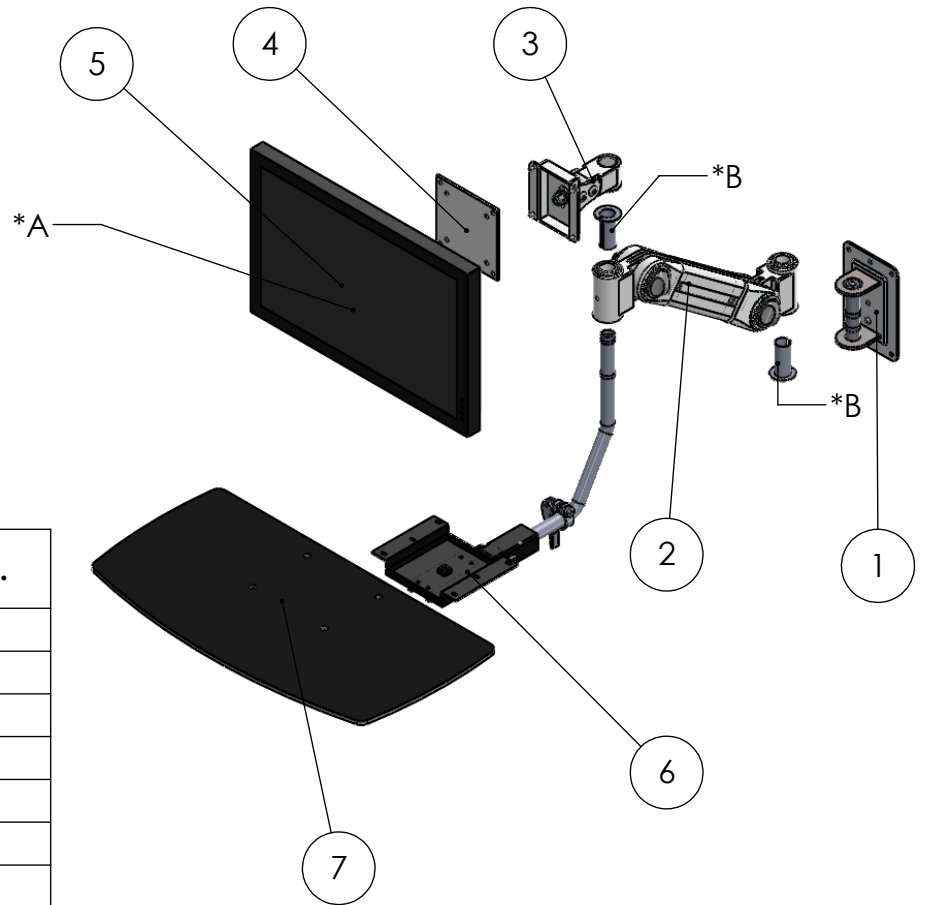
*A: Monitor Size based on a standard Dell 17" Monitor (Not included)
*B: Dimensions with arm centered in its range of motion (45-50 degrees)

PROPRIETARY AND CONFIDENTIAL
THE INFORMATION CONTAINED IN THIS DRAWING IS THE SOLE PROPERTY OF <INSERT COMPANY NAME HERE>. ANY REPRODUCTION IN PART OR AS A WHOLE WITHOUT THE WRITTEN PERMISSION OF <INSERT COMPANY NAME HERE> IS PROHIBITED.

		UNLESS OTHERWISE SPECIFIED:		NAME	DATE		
		DIMENSIONS ARE IN INCHES		DRAWN	SJB	2/14/17	TITLE: 60239 LCD Monitor Arm and Drop Down Keyboard tray with 24-31P
		TOLERANCES:		CHECKED			
		FRACTIONAL ±		ENG APPR.			
		ANGULAR: MACH ± BEND ±		MFG APPR.			
		TWO PLACE DECIMAL ±		Q.A.			
		THREE PLACE DECIMAL ±		COMMENTS:			
		INTERPRET GEOMETRIC TOLERANCING PER:					SIZE DWG. NO. REV
		MATERIAL					A 60239-W
NEXT ASSY	USED ON	FINISH					SCALE: 1:24 WEIGHT: SHEET 2 OF 2
APPLICATION		DO NOT SCALE DRAWING					

Range of Motion:

Monitor: 360 (L/R) 35 (upward) 25 (downward) tilt
 Keyboard Tray: 360(L/R) 75(upward) 90(downward) tilt
 Adjustable Arm: 170 (L/R) 100(downward) from vertical



60239-W
 Exploded View 60239

ITEM NO.	PART NUMBER	DESCRIPTION	QTY.
1	25-12	Wall Mount Bracket	1
2	22-04-5	Adjustable Arm	1
3	21-01	Pivot Bracket	1
4	21-02	Adaptor Plate	1
5	17" Monitor	17" Monitor	1
6	21-13	Drop Down Keyboard Tray	1
7	TS825CH	Keyboard Tray	1

*A: Monitor not included in assembly, dimensions based off of standard 17" Monitor.
 *B: Do NOT remove plastic insert sleeves, arm will not function properly without them.

PROPRIETARY AND CONFIDENTIAL
 THE INFORMATION CONTAINED IN THIS DRAWING IS THE SOLE PROPERTY OF <INSERT COMPANY NAME HERE>. ANY REPRODUCTION IN PART OR AS A WHOLE WITHOUT THE WRITTEN PERMISSION OF <INSERT COMPANY NAME HERE> IS PROHIBITED.

		UNLESS OTHERWISE SPECIFIED:	NAME	DATE	
		DIMENSIONS ARE IN INCHES	DRAWN	SJB	2/14/17
		TOLERANCES:	CHECKED		TITLE: Exploded View 60239
		FRACTIONAL ±	ENG APPR.		
		ANGULAR: MACH ± BEND ±	MFG APPR.		
		TWO PLACE DECIMAL ±	Q.A.		
		THREE PLACE DECIMAL ±	COMMENTS:		
		INTERPRET GEOMETRIC TOLERANCING PER:			SIZE DWG. NO. REV
		MATERIAL			A 60239-W
NEXT ASSY	USED ON	FINISH			
		APPLICATION			SCALE: 1:24 WEIGHT: SHEET 1 OF 2
		DO NOT SCALE DRAWING			